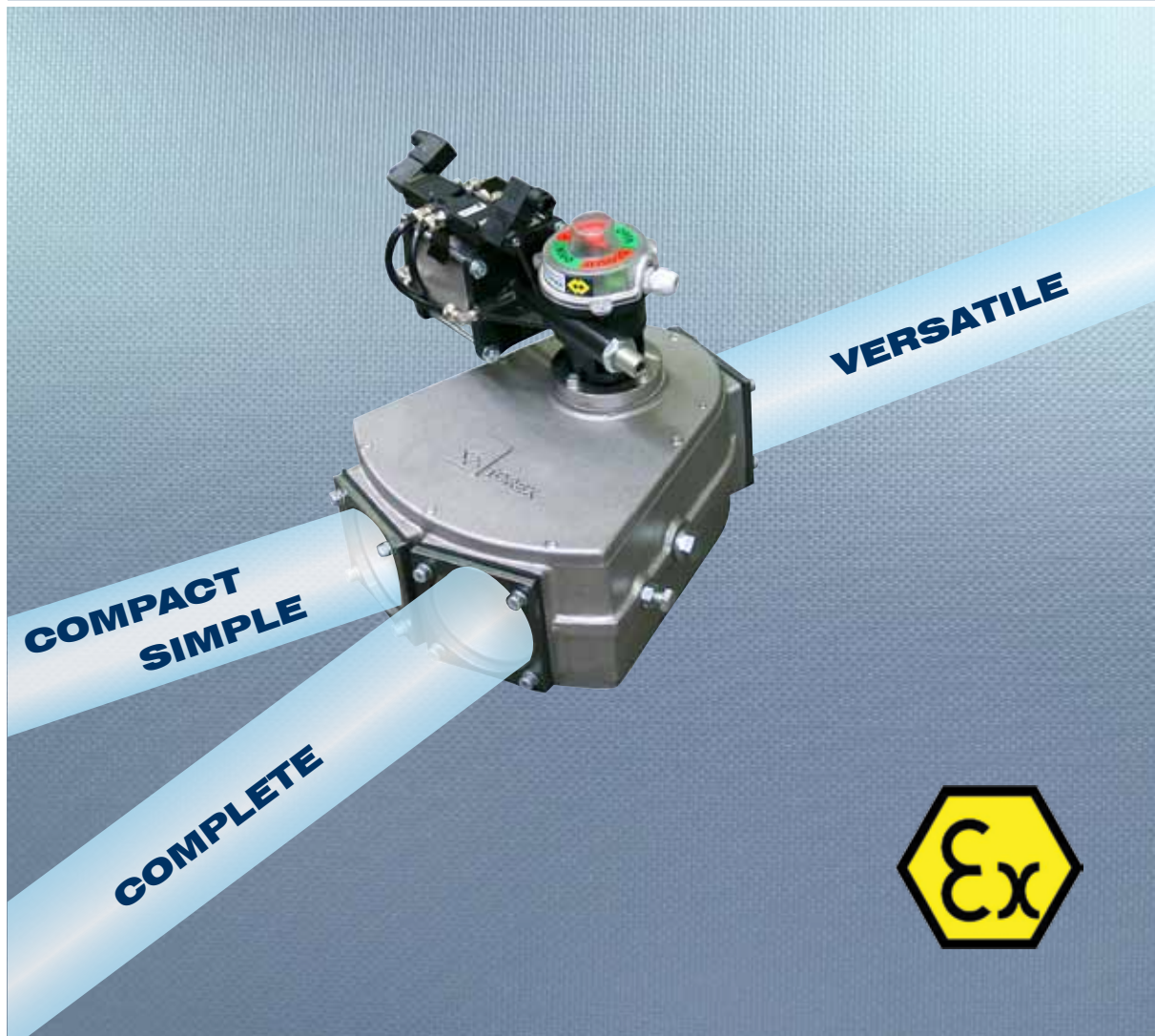


Diverter Valves

VAD



THE MOST COMPACT, SIMPLE AND VERSATILE DIVERTER VALVE AT A LOWER COST

Manufactured entirely in aluminium with the option of nickel-plating, the valve is activated either manually or by means of a pneumatic or an electric motor-operated actuator.

Activation of the actuator makes it possible to change the direction of the material flow.

Features

VALVE

- Cast aluminium alloy casing
- Various actuators in different voltages
- Low friction gaskets
- Operating temperature: - 20°C to 80°C (-4°F to 176° F)
- Operating pressure: max. 2.5 bar (36 PSI)
- Aluminium casting or nickel plated versions available both with ATEX certification for Group II Cat. 1D/3D c T 135°C on request

ACTUATOR

Pneumatic Actuator

- Voltage supply: 24 V AC, 24 V DC, 110 V AC, 230 V AC

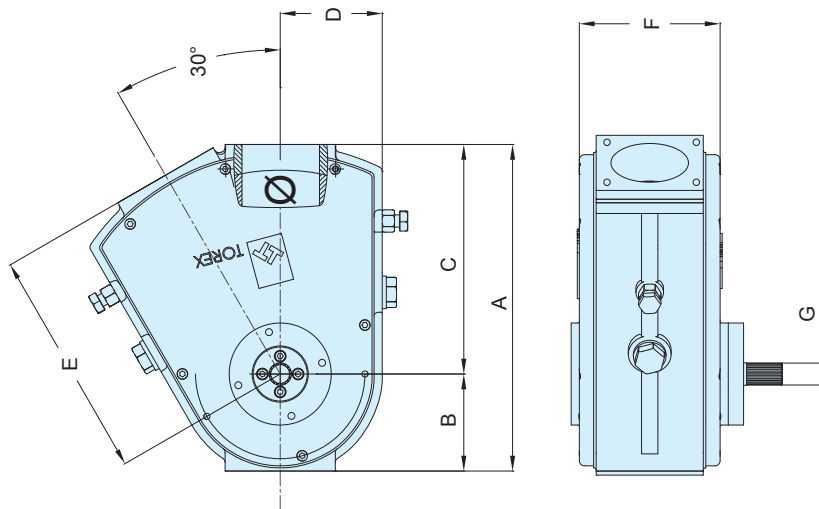
Electric Actuators

- Voltage supply: 230/400 V AC 50/60 Hz

Manual Actuator

- Manually operated

Overall Dimensions



| | | | | | | | ACTUATOR CONNECTION | |
|-----|----|-----|-----|-----|-----|-----|-----------------------|--|
| VAD | Ø | A | B | C | D | F | G | |
| 50 | 45 | 245 | 75 | 170 | 80 | 122 | CP101 - AE04011 - CM4 | |
| 80 | 76 | 320 | 95 | 225 | 100 | 135 | | |
| 100 | 96 | 345 | 105 | 240 | 110 | 155 | | |

Dimensions in mm

Benefits

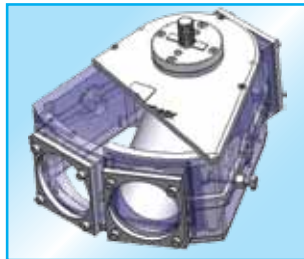
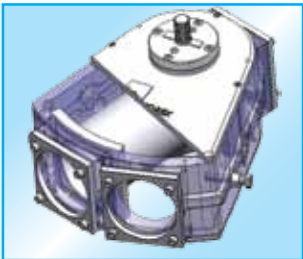
- ✓ **Lightweight and compact design**
- ✓ **Easy to install**
- ✓ **Maintenance-friendly**

1 Low friction gaskets

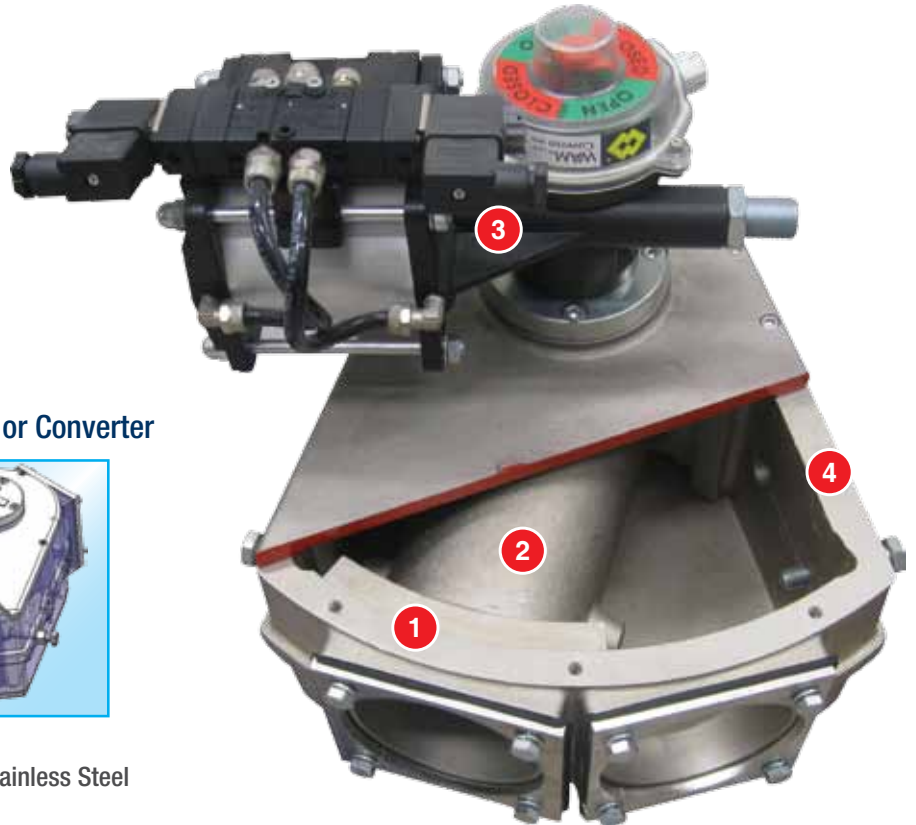


- Minimum pressure drop inside conveying duct

2 Adjustable and Easy to Use as Diverter or Converter



- Actuator assembly on both sides of the casing
- Square Counter-Flanges in carbon steel or 304 Stainless Steel as standard assures system compatibility



3 Various type of actuators



Pneumatic Actuator CP101
Operating Pressure: 2-7 bar



Electric Actuator AE40A11
Power: 0.18 kW
Protection: IP 55
Voltage: 50 Hz - 230/400 Volt



Manual Actuator CM4

4 Nickel Plated Version



- Increased resistance to corrosion
- Higher surface hardness
- Food Grade Nickel Coating available

Accessories

Inlet/Outlet Connection Pipes



- Zinc coated mild steel
- 304 Stainless Steel

Application



VAD Diverter Valves are suitable for handling any type of powdery or granular material in pneumatic conveying systems.



063001497 February 2013 Rights reserved to modify technical specifications.



www.wamgroup.com